

HS-A Mechanical Pressure Switch

FEATURES:

- The alarm point is adjustable, small and compact
- NC/NO double contact points, contact silver plating and with large capacity
- Wide measurement with range (0...400bar), strong overload capacity(the max 600bar)
- Impact resistance design, high repeatability

TYPICAL USES:

- Petrochemical
- Hydraulic Machinery
- Food Pharmaceutical
- HVAC/R
- Refrigeration



SPECIFICATION

Range:	0...1...10...25...50Bar Max pressure 300bar 10...100...200...400Bar Max pressure 600bar
Overload Capacity:	> 300Bar(Setting range 0.2~50Bar)
Action Point Set:	Adjust within the setting range
Contact:	NC/NC 1(COM) 2(NC) 3(NO)
Accuracy:	±2%FS
Long-term Stability:	Typical: ±2%FS/year
Electric Contact:	Silver plating contact point Hexagon Wrench(Products with standard accessories)
Setting:	
Operation Temperature:	-20 ~ 85°C
Shell:	Engineering plastics
Action Hysteresis:	Small range 10%,Large range 15%
Sampling Frequency:	90 times/sec
Measurement Medium:	Non-corrosive liquid ,oil,gas
Connector:	M20*1.5, G1/2, G1/4, 1/2"NPT, 1/4"NPT
Connector Material:	Stainless steel, Brass, Nickel-plated Copper
Setting Element:	Diaphragm steel piston with NBR seal
Enclosure Proof:	IP65
Electrical Specification:	Maximum load: 250V3A, 125V5A, 30VDC3A

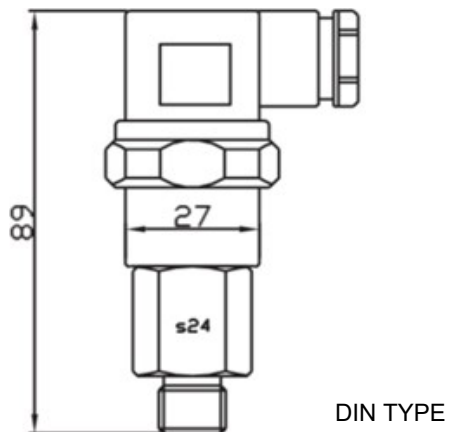
KEY BENEFITS

- Easy to use, stable operation and long mechanical life
- The user can set the control point through the accessory tools along with the product. Generally, a control point will be preset before the product leaves the factory for the convenience of customers.

HS-A Mechanical Pressure Switch

DIMENSIONS in [] are millimeters

For reference only, consult Ashcroft for specific dimensional drawings



Product Selection Table

Structure	Mode	Max Pressure (bar)	Setting Range (bar)	Accuracy	Fixed Hysteresis	Weight (Kg)
Diaphragm-type	HS-A-003	25	0.3...3	2% Set Value	10%...20% Set Value	0.1
	HS-A-010	25	1...10			
Piston-type	HS-A-050	300	5...50			
	HS-A-100	300	30...100			
	HS-A-200	300	40...200			
	HS-A-400	600	50...400			0.1

Note: Please specify threaded connection when ordering. Adjustable within set range, factory preset actuation value by default.